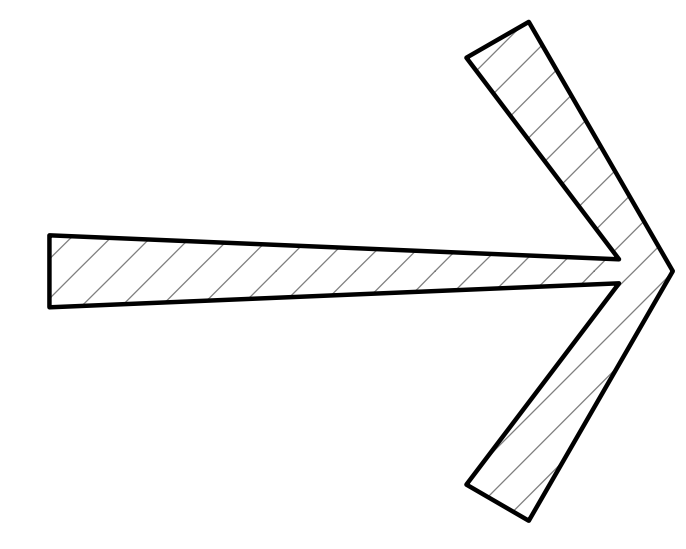
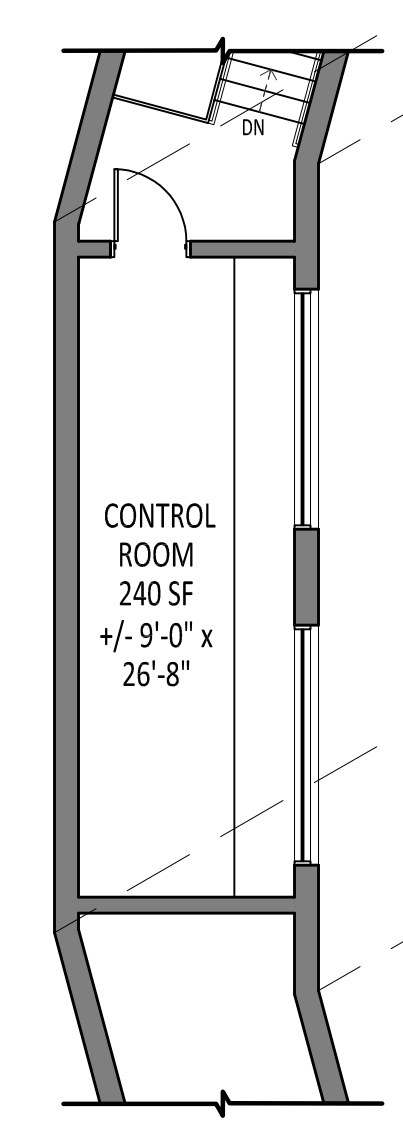


AUDITORIUM  
ENTRANCE /EXIT

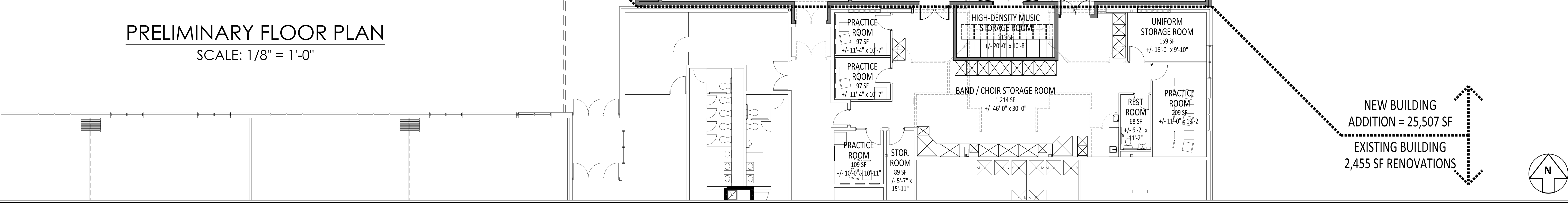


MEZZANINE SF =  
308 SF

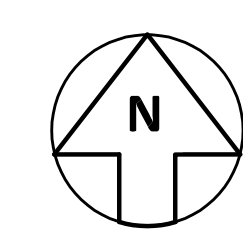


NEW BUILDING  
ADDITION = 25,507 SF  
EXISTING BUILDING  
2,455 SF RENOVATIONS

PRELIMINARY FLOOR PLAN  
SCALE: 1/8" = 1'-0"



NEW BUILDING  
ADDITION = 25,507 SF  
EXISTING BUILDING  
2,455 SF RENOVATIONS



# WAYNE TRACE AUDITORIUM - NORTH DESIGN OPTION

## WAYNE TRACE LOCAL SCHOOL DISTRICT

GM PROJECT NUMBER: 23093.00

06/13/2024

