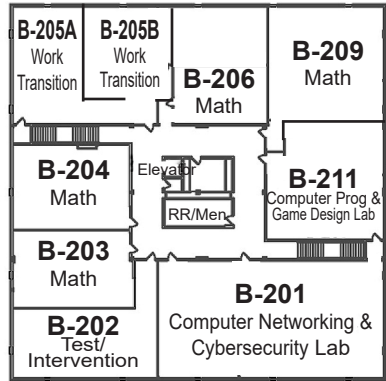
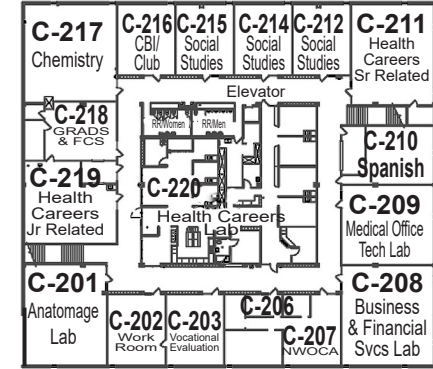


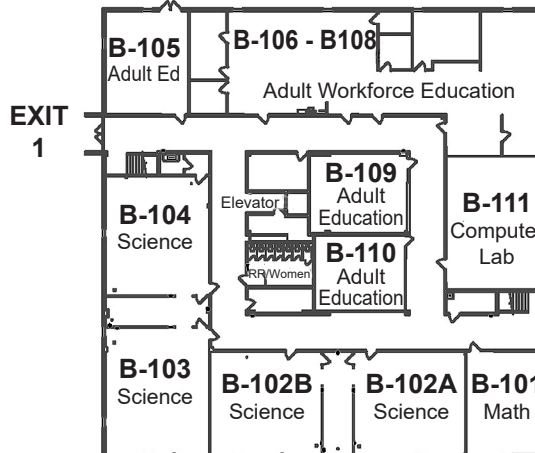
FOUR COUNTY CAREER CENTER



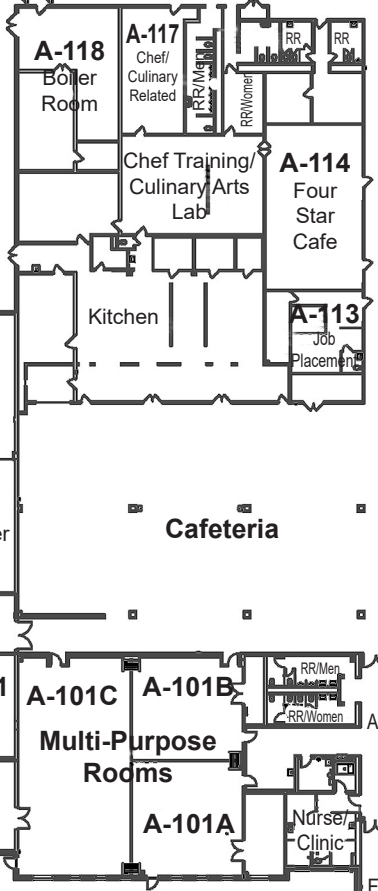
UNIT "B" SECOND FLOOR



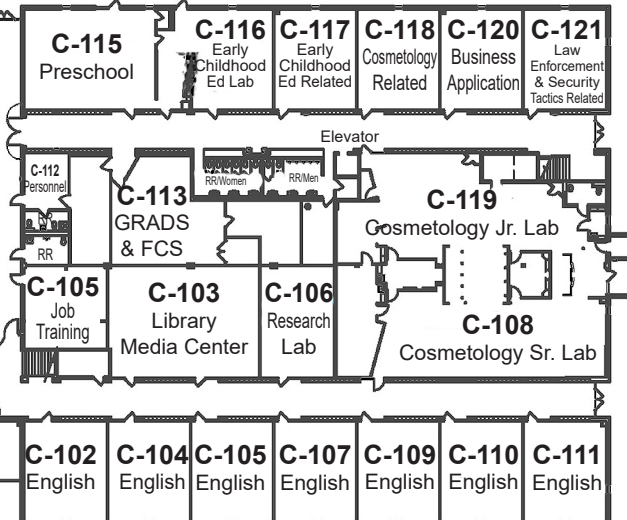
UNIT "C" SECOND FLOOR



UNIT "B" FIRST FLOOR



UNIT "A" FIRST FLOOR



UNIT "C" FIRST FLOOR



